



# NS7000 SERIES ALUMINUM WINDOWS

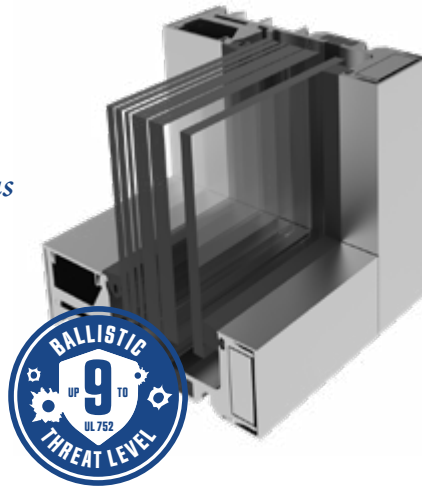
Murfreesboro Police Department—Murfreesboro, Tennessee  
 Architect: Architect Workshop

## MAXIMUM SECURITY. MAXIMUM AESTHETICS.

The Norshield NS7000 series provides traditional storefront aesthetics, with the added benefit of serious ballistic, blast and forced entry resistance.

Use alone, mull with additional NS7000 windows and/or with NS7000 Series door for a complete barrier.

- Ballistic Levels 1-9; NIJ I, II, IIA, III, IIIA, IV; DIN C1-C5, SD-STD-01.01 DOS 5 min. Forced Entry
- Blast-resistant up to 14 psi
- Forced entry rated to ASTM F1233 Class 3
- FEMA 361 tornadic impact
- Standard framing has 2" face x 5 1/2" depth  
 Custom profiles available
- Accommodates glazing thickness from 1 3/8" to 2 1/2"
- All units arrive pre-glazed with all gaskets, seals, etc.
- Appropriate for retrofit or new construction
- Poured and debridged thermal break design for superior exterior performance.
- Applied exterior or interior grids available
- ASTM and AAMA tested for air, water, structural and thermal performance.
- NFRC thermal simulation



- Accommodates glazing thickness up to 2 1/2"
- All units arrive pre-glazed with all gaskets, seals, etc.
- Ballistic Levels 1-9; NIJ I, II, IIA, III, IIIA, IV; DIN C1-C5, SD-STD-01.01 DOS 5 minute Forced Entry
- Blast-resistant up to 14 psi
- Forced entry rated to ASTM F1233 Class 3



Shown in bronze anodized finish

NORSHIELD PRODUCT	BALLISTIC RATINGS									FORCED ENTRY RATINGS									IMPACT RATING	
	LEVEL I	2	3	4	5	6	7	8	9	CLASS	2	3	4	5	6	7	8	9		
<b>NS7000 FIXED WINDOW</b>	UL 752	•	•	•	•	•	•	•	•	ASTMF1233	•	•	•							FEMA 361
										US DEPT OF STATE	5 MINUTES									

# NS7000 SERIES WINDOW

*Ballistic, blast and forced entry resistant unitized aluminum window systems.*

