



# NS7000 SERIES ALUMINUM DOORS

## MAKE AN ENTRANCE.

*Doors that protect at the highest level.*

*The Norshield NS7000 series provides traditional storefront aesthetics, with the added benefit of serious ballistic, blast and forced entry resistance.*

**High Security multiple threat performance.** With a wide range of configuration and hardware options, the ADR and NS7000 doors are available in single and double leaf configurations, and are suitable for projects requiring ballistic, forced-entry and/or blast performance.

**Rail and stile construction** hides the robust performance of these doors in a very conventional aluminum entrance look.

**Finish options** include Class I clear and dark bronze anodize, custom anodized colors, high performance fluoropolymer paints and stainless steel cladding.

**Blast resistant design meets requirements** for both positive and negative pressure (rebound) protection during a blast event. (GSA, UFC & DOS)

**Heavy duty 1,000,000 cycle hinges.** Stainless steel ball bearing hinges have been tested to over 1,000,000 cycles on a 600# door leaf.

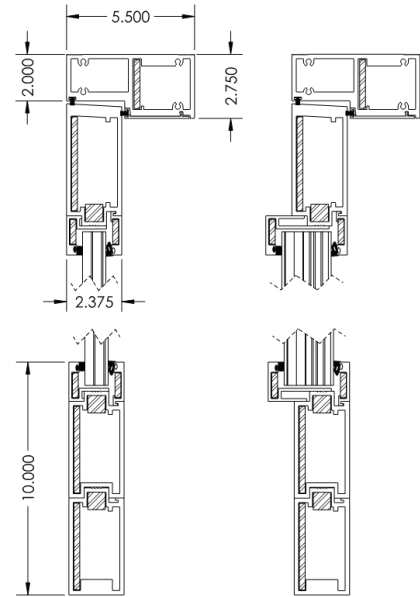
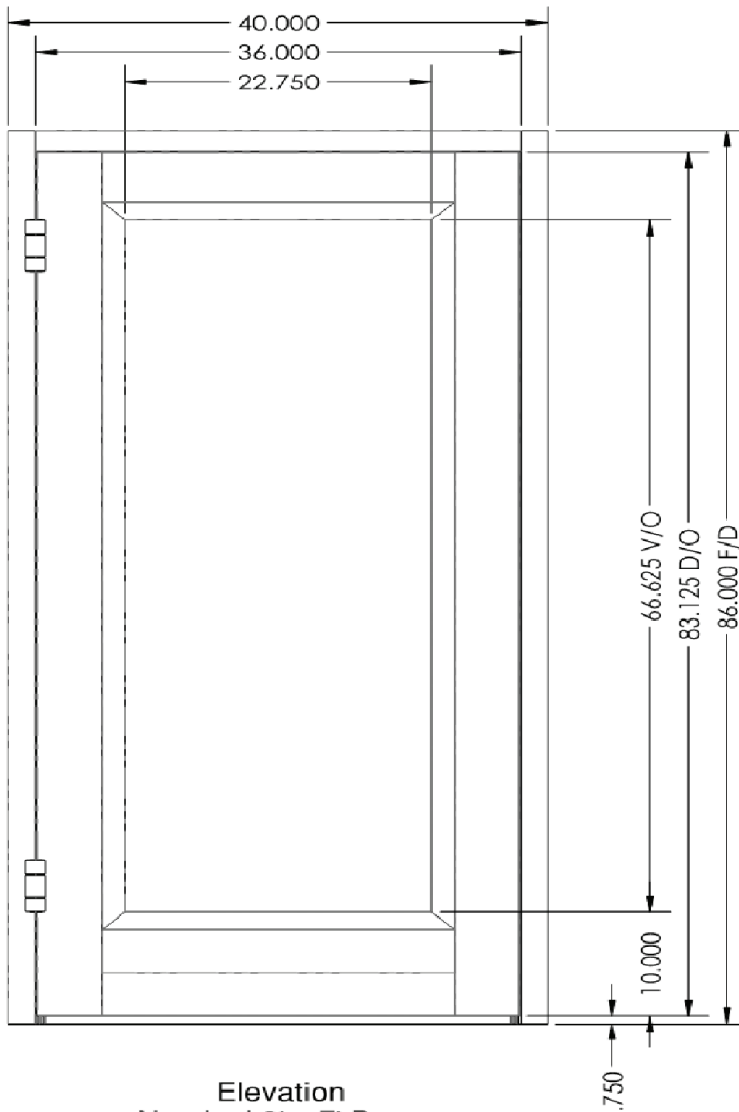
**Tested to multiple protection standards** including DOS SD-STD.01-01, UL752 (Levels 3, 4, 5, 7, 8 & 9), ASTM F1233 (R1, R2, R3 & R4) and NIJ (Level III and Level IV).



NORSHIELD PRODUCT	BALLISTIC										FORCED ENTRY					
	UL 752	1	2	3	4	5	6	7	8	9	NIJ 0108.1	IIIA	III	IV	DOS - REV 6	
NS7000 DOORS	UL 752	•	•	•	•	•	•	•	•	•	NIJ 0108.1	•	•	•	DOS SD-STD-01.01	5 MINUTE ATTACK

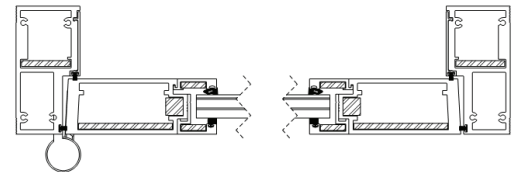
# NS7000 SERIES DOOR

*Ballistic, blast and forced entry resistant unitized aluminum doors.*

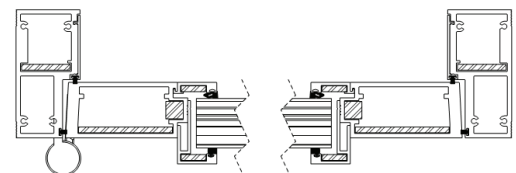


Vertical Section  
UL Level 3

Vertical Section  
UL Level 8



Horizontal Section  
UL Level 3



Horizontal Section  
UL Level 8



Scan for more details on this  
and other Norshield products.